



## ORION 23 UDP HIGH-PERFORMANCE UNIVERSAL DISPLAY PLATFORM

The ultra-rugged Orion 23 UDP introduces a breakthrough platform for deployed visualization systems. With an ultra-high performance modular video processor, the Orion 23 UDP can display up to eight video Picture-in-Picture (PIP) display inputs. This new technology allows multiple video images to be displayed concurrently.

With 1600 x 1200 pixel resolution, and both NTSC and RGB inputs, the Orion 23 UDP opens a new paradigm in visual information. Intelligent "SoftMenu" functions allow each PIP window to be moved, resized and turned on and off from the host computer. These convenient features enable multiple users to remotely configure, save and recall custom settings, colors and viewing preferences depending on conditions or application-specific requirements.

The Orion 23 UDP allows the operator the ability to view and interact with multiple video and computer sources at once. All PIPs can be scaled, stacked or overlapped just by selecting the frame; providing solutions for the most challenging of viewing scenarios.

The Orion 23 UDP is a modular system in that it separates the LCD from the electronics and power supply to endure the most stringent EMI and environmental demands.

Manufactured from lightweight, aircraft grade, CNC machined aluminum and finished with a baked powder coating, the Orion 23 is tough, lightweight and offers the most advanced picture quality and customization.

### Highlights

- 23.1" active display area
- Active matrix color
- High resolution 1600 x 1200
- Up to 8 Picture in Picture
- Rugged lightweight packaging
- Tough protective lens
- Ergonomic handles
- Field upgradeable

- Integrates with any work station, PC or X Terminal
- Up to 160 degree viewing angle
- SoftMenu features
- Applications include:  
Shipboard, Airborne, Field Deployments
- Compatibility:  
Sun, SGI, DEC, IBM, PC, Mac

# SPECIFICATIONS

## Orion 23 Display

### LCD Panel

Size:	23.1"
Native Pixels:	1600 x 1200
Color Palette:	16.7 million
Viewing Angle:	Full +/-80°
Controls:	Operator Control Panel or GUI SoftMenus
Options:	AV - Picture in Picture - Up to 1 EV - Picture in Picture - Up to 4

### Power

Power Consumption:	170 W (depending on # of PiPs)
Power Supply:	100-240 VAC, 2.0A input @ 50-60Hz, 400Hz

### Cabling

Display:	Standard VGA 15-pin 6' cable (order separately)
Options:	BNC, DVI and MIL-circular (call factory to discuss requirements)
Power Cable:	6' cable, MIL-5015 Circular Connector Standard (IEC Connector Optional)
RS232 Serial Cable:	6' 9-pin DSUB provided (pins 2, 3, 5, straight through) 10' cable, DB9

### Physical

Size:	AV - 17.734"H x 22.024"W x 4.873"D EV - 17.734"H x 22.024"W x 6.514"D
Weight:	AV - 24.10 lbs with no PiPs EV - Approximately 32 lbs with 4 PiPs

### Environmental\*s

Operating Temp:	0° to + 50° Celsius
Non-op Temp:	-40° to + 70° Celsius
Humidity:	5% to 95% Non condensing
Non-op Humidity:	5% to 95% Non condensing
Non-op Altitude:	Up to 40,000 ft.
Operating Altitude:	Up to 15,000 ft.
Vibration:	MIL-STD-167, DO-160D Curve B
Shock:	30g's, 11 ms
Fungus:	Non Nutrients/contaminants

### Reliability

MTBF:	50,000 Hrs, LCD and Backlight only
Maintainability:	<30 minutes

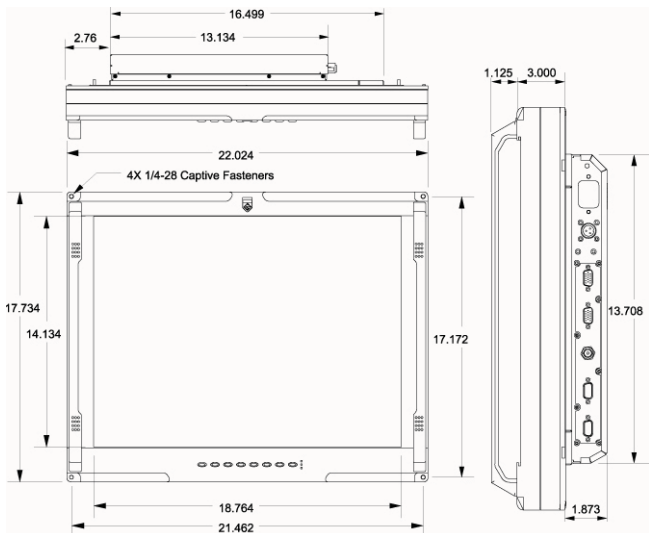
### Regulatory

Safety:	UL 60950 (used as a guideline)
EMC/RFI:	MIL-STD-461E, RE101 Army Limits, RE102 (Navy Fixed), RS101,RS103 (20v/m 2MHz and 60v/m 1GHz-18GHz), CE101CS114, CS115, CS116

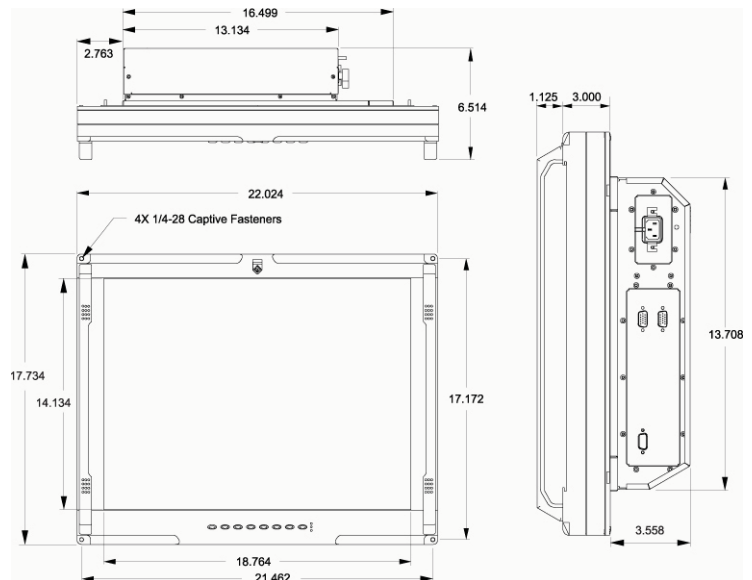
### Quality/Workmanship

IPC / ISO 9001:2000 and applicable section of MIL-HDBK-454

\*Testing has not been conducted, therefore environments are listed as Design Goals based on results from other display products



Mechanical Outline for Orion 23 UDP AV Series



Mechanical Outline for Orion 23 UDP EV Series